

UNDERWATER CAMERA EQUIPMENT RENTAL PARIS CANNES LONDON TAHITI

Underwater camera housings made in Switzerland by SUBSPACE



UNDERWATER **RAPTOR** CINEMA CAMERA HOUSING

General information

- RED Raptor & Alexa 35
- Waterproof 150m
- Extremely reliable

Complementary informations

- Weight 30kg
- 7" Monitor Small HD DP7 Pro High Bright
- Compatible with any lenses
- Surface video assist / Ethernet cable



Dimensions

Transportable in 2 cases * :

- Dimensions Case 1: 52.1 x 52.1 x 48.9cm –Weight :32kg
- Dimensions Case 2 : 62.9 x 49.7 x 35.3 cm – Weight 23kg
- * Option : 50m Cables– Weight 15kg

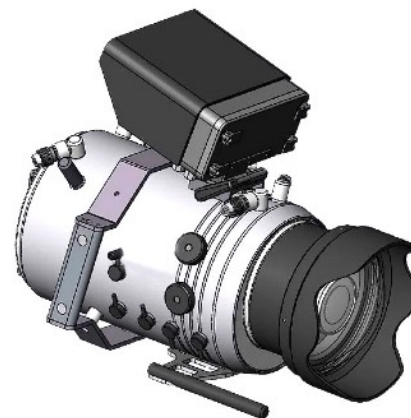
UNDERWATER **RAPTOR** CAMERA HOUSING FOR DOCUMENTARY FILMS

General information

- RED Raptor & Alexa 35
- Waterproof 150m
- Extremely reliable

Complementary informations

- Weight 30kg
- 7" Monitor Small HD DP7 Pro High Bright
- Compatible with Ultra Prime Zeiss Series,
15,5-45mm Zeiss with Musashi Expander,
Sigma 14mm FF T2 & DZOFilm 90mm Macro
- Surface video assist / Ethernet cable



Dimensions

Transportable in 2 cases * :

- Dimensions Case 1 : 52.1 x 52.1 x 48.9 cm – Weight : 32kg
- Dimensions Case 2 : 62.9 x 49.7 x 35.3 cm – Weight 23kg

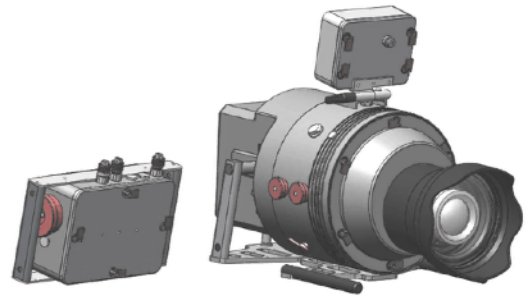
UNDERWATER **CINEMA** CAMERA HOUSING WITH LENS CONTROL SYSTEM & WATERPROOF CONVERTER

General information

- RED Raptor, Monstro & Helium / Alexa 35 / Flex 4k
- Waterproof 150m
- Waterproof Converter for Zoom, Iris & Focus
- Extremely reliable

Complementary informations

- Weight 45kg
- Monitor 7" Small HD DP7 Pro High Bright
- Waterproof converter for lens control (Focus/Iris/Zoom)
- Surface video assist / Ethernet cable
- Compatible Zeiss FF series, Sigma FF, Zeiss 15,5-45mm - Other lenses on request



Dimensions

Transportable in 3 cases * :

- Dimensions Case 1 : 52.1 x 52.1 x 48.9 cm – Weight : 23kg
- Dimensions Case 2 : 62.9 x 49.7 x 35.3 cm – Weight 25kg
- Dimensions Case 3 : 80.2 x 52 x 31.6 cm – Weight 32kg*
- * Option : 50m & 5m Cables– Weight 17kg

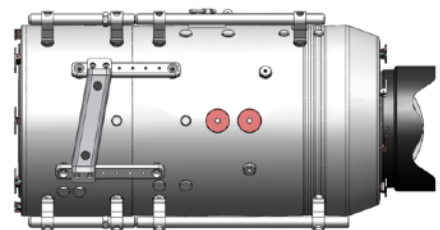
UNDERWATER **STUDIO** CAMERA HOUSING & CAMERA **TEST** HOUSING WITH LENS CONTROL SYSTEM

General information

- RED Raptor & Helium / Alexa 65 / Sony Venice / Alexa 35 / Phantom 4k Compatible
- Compatible ALL LENSES & CAMERAS – UNIQUE FOR CAMERA TESTS
- Waterproof 200m
- Waterproof Converter for Zoom, Iris & Focus
- Extremely reliable

Complementary informations

- Weight 60 kg
- 7" Monitor Small HD DP7 Pro High Bright
- Compatible with aspherical & anamorphic lenses
- Waterproof Converter for Zoom, Iris & Focus
- Cmotion/Arri/Preston motors Focus / Iris / Zoom compatible
- Surface video assist / Ethernet cable



Dimensions

Transportable in 3 cases * :

- Dimensions Case 1: 57.2 x 57 x 54 cm – Weight : 32kg
- Dimensions Case 2 : 62.9 x 49.7 x 35.3 cm – Weight : 24kg
- Dimensions Case 3 : 80.2 x 52 x 31.6 cm – Weight 32kg
- * Option : 50m Cables– Weight 15kg

UNDERWATER **MECHANICAL** CAMERA HOUSING

General information

- RED Raptor, RED Monstro, RED Helium Compatible
- Waterproof 200 mètres
- Extremely reliable. No electronic.



Complementary informations

- Weight 30 kg
- Monitor 5,5" ou 7"
- More dedicated for natural environment & extreme conditions
- Compatibles Ultra Prime Series, 15,5-45mm Zeiss LWZ or FF lenses with Expander
- All function are mechanical (Iris, focus and zoom) but don't allow accurate follow focus
- Surface video assist

Dimensions

Transportable dans 2 cases *:

- Dimensions Case 1 : 56.1 x 45.5 x 26.5 cm – Weight : 23kg
- Dimensions Case 2 : 62.9 x 49.7 x 35.3 cm – Weight : 32kg
- * Option : 50m Cables– Weight 15kg

UNDERWATER **MINI** CAMERA HOUSING

General information

- RED Monstro / RED Helium & Dragon Compatible
- Waterproof 200 meters
- Small, Extremely reliable, No electronic
- Perfect for images in challenging environment



Complementary informations

- Weight 12 kg
- Monitor inside or outside of the housing in fonction of the environment
- Compatibles with Ultra Prime lenses Series, Zeiss LWZ 15,5-45mm
- Perfect to be used on a DPV, a crane, a slider or in small areas.
- Recommanded for shoots in natural environment, extreme conditions or as B camera
- All functions are mechanical. No electronics. Extremely reliable camera housing
- Surface video assist / Ethernet cable

Dimensions

Transportable in 1 Case *:

- Dimensions Case 1 : 63.1 x 50 x 30.2 cm – Weight : 24kg
- * Option : 50m Cables– Weight 15kg

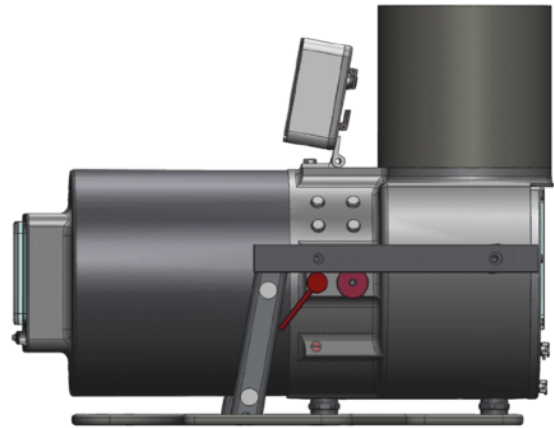
UNDERWATER 3D CAMERA HOUSING

General information

- 3D Rig /Beam splitter - 5k RED camera
- Waterproof 150 meters
- Reliable and small size

Complementary informations

- Weight 70 kg
- 3D monitors Transvideo & 2D monitor
- Convergence setting (0,5° / 1° / 1,5°)
- IO : 0cm to 7cm
- Fit 63° angle lenses
- Converter for IO, Iris & Focus
- Adaptable on a Submarine



Dimensions

Transportable in 3 Cases :

- Dimensions Case 1 : 76,5 x 52,5 x 43,5 cm – Weight : 55kg
- Dimensions Case 2 : 63,5 x 58,4 x 33 cm - Weight : 40kg
- Dimensions Case 3 : 95.3 x 68.9 x 36.5 cm – Weight : 40kg
- * Option : 50m Cables– Weight 15kg

UNDERWATER 2D & 3D DEEP CAMERA HOUSING

General information

- RED Raptor / Monstro / Helium / Dragon Compatible
- Waterproof 1500 mètres
- Monitoring from the surface

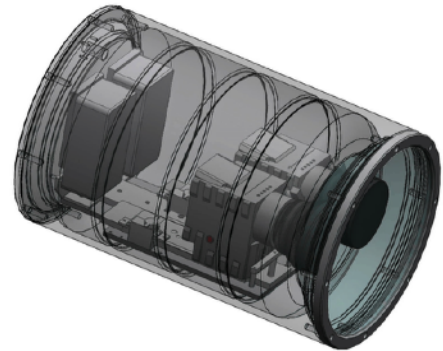
Complementary informations

- Weight 50 kg
- Lenses compatibility on request
- ROV or Submarine adaptation on request

Dimensions

Transportable in 1 Case :

- Dimensions Case 1 : 82 x 55 x 55 cm – Weight : 65kg



1600W LED LIGHTING SYSTEM POWERED FROM THE SURFACE

General Information

- 4 x 400 Watts LED
- Underwater Studio version powered with 30v underwater
- Natural environment version powered with 110/220v
- Electrical security system

Complementary informations

- Weight 40 kg (light heads & alimentations)
- 2 separate Security systems
- Option to be used on ROV' & Submarines



Dimensions

Transportable in 2 cases (* Optional)

- Dimensions Case 1 : 43 x 43 x 64 cm – Weight : 26 kg
- Dimensions Case 2 : 60 x 55 x 36 cm – Weight : 32 kg
- * Dimensions Case 3 (SECURITY SYSTEM): 62.9 x 49.7 x 35.3 cm – Weight : 35 kg

240W LED LIGHTING SYSTEM WITH BATTERY PACK

General Information

- 240 Watts LED
- 80min autonomy

Complementary informations

- Weight 12 kg / lighting system
- 90° beam angle



Dimensions

Transportable in 1 case

- Dimensions Case 1 : 47 x 36 x 18 cm – Weight : 18kg

UNDERWATER LIGHT PANELS

General information

- 1,75m X 1,75m
- Powered from the surface

Complementary informations

- Intensity and Color Temperature Dimmer

Dimensions

- Transportable in 1 Case



UNDERWATER COMMUNICATIONS

General information

- 2 Full Face Mask
- 1 Surface Station Unit
- 2 Receivers

Complementary informations

- Weight 23 kg
- Aquacom SSB 2010 OTS
- Surface Station Unit STX 101 OTS
- 2 Receivers
- Full Face Mask Kirby Morgan with Microphone Receiver / SN : A100 50 643
- Full Face Mask Mantis / SN : 714 754 7848



Dimensions

- Transportable in 1 case
 - Dimensions caisse 1 : 62.9 x 49.7 x 35.3 cm – Poids : 32kg
-

UNDERWATER SPEAKER

General information

- Haut-parleur OTS
- Surface Station Unit DRS 100
- Digital recorder

Complementary informations

- Weight 15 kg

Dimensions

- Transportable dans 1 Case :
- Dimensions Case 1 : 62.9 x 49.7 x 35.3 cm – Weight : 23 kg
-



CAMERAS, LENSES & ACCESSOIRES

General information

- RED RAPTOR SN#VRPB1004163
- RED Helium Camera SN#914
- RED Helium Camera SN#2105
- 14mm SIGMA T2 PL Mount SN#56470802
- Musashi OptiMag
- Zoom LWZ 15,5-45mm T2 ZEISS PL Mount / SN# 89 32 381
- Zoom 11-16mm T2,8 DUCLOS PL Mount / SN#69026
- 2x21mm T2,9 ZEISS PL Mount
- 4 x RED CF Express 2To / 4 x Redmag SSD 256Go
- PAG batteries & Redbrick Batteries & Chargers



- 4 x RED LCD
- Monitor 8" Transvideo 3D // SN 11F5 0947
- 2 x Small HD High Bright DP7 Pro 7" Monitors
- ND filters 3/6/9/12/12IR



Photo:

- Nikon D850 & Underwater camera housing
- Nikon: 16mm/20mm/50mm/14-24mm/70-200mm/200-400mm/500mm/105mm Macro

GRIP

General information

- Underwater slider usable on a Truss - 20kg
- Underwater aluminium & carbone fiber tripod
- Split shot system



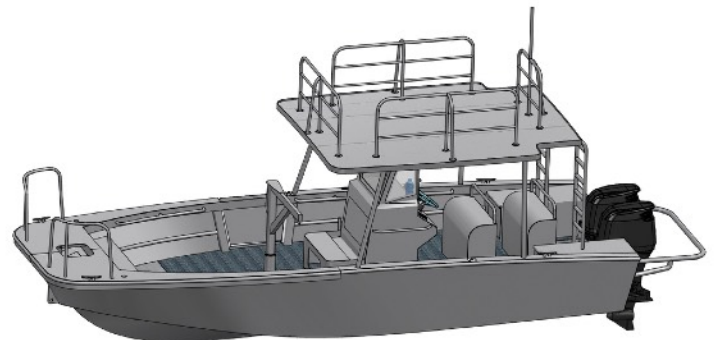
CLOSE CIRCUIT REBREATHERS, DIVE EQUIPMENTS & BOATS

General information

- 2 X JJ Close Circuit Rebreathers
- O2 Aqualung C.O.D.E close Circuit Rebreather
- Submerge & SUEX DPV
- Bauer 8m3 Compressor
- O2 Booste
- 20 meters long hose regulators
- Dive Equipment : Drysuit, Wetsuits, BCD, Regulators
- Dive Lost system: Nautilus LifeLine GPS



- 24 foot Zodiac with Suzuki 200cc
- 27 foot aluminium boat (based in Tahiti)



UNDERWATER STUDIOS & POOLS FOR MARINE & UW SHOOTS (EUROPE)

Thank you to contact us